

# Z-shape fan series

## The Future Takes Z-shape

Engineered for tomorrow's standards.  
Designed for maximum system performance.  
The new Z-Shape series combines advanced aerodynamics with high-efficiency EC technology – fully compliant with ErP 2026.



### Z-Shape Aerodynamics

- Optimized blade geometry for stable, efficient airflow
- High static efficiency – up to 73% peak performance
- Reduced turbulence and improved pressure build-up
- Designed for real system efficiency, not only laboratory values



### Smart EC Drive Technology

- High-efficiency EC motor
- Precise speed control
- Long service life bearings
- Built-in motor protection (overtemperature/overload)
- Low harmonic distortion
- Low leakage current design (EDM-risk minimized)
- Integrated EMC filter



### System-Optimized Performance

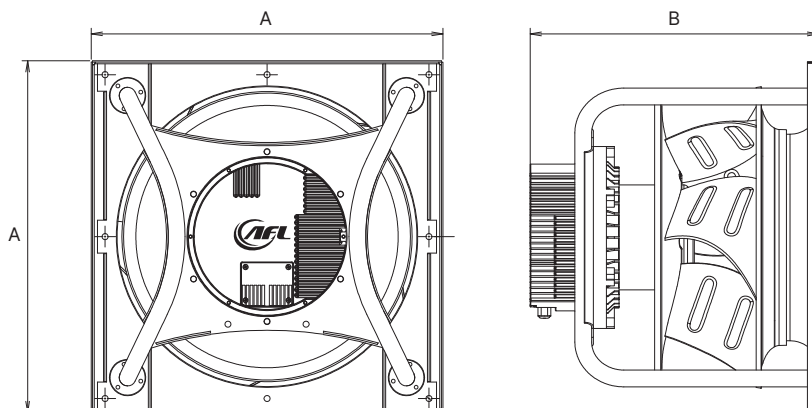
- Reduced installation losses
- Compact design for AHU integration
- Stable operation across wide performance range
- Ideal for retrofit and new installations

## Special features

- ✓ high efficiency EC motor
  - ✓ low power consumption
  - ✓ efficiency up to 73% in BEP
- ✓ wide operating temperature range
  - ✓ degree of protection: IP54
  - ✓ control: 0–10 VDC / PWM / MODBUS

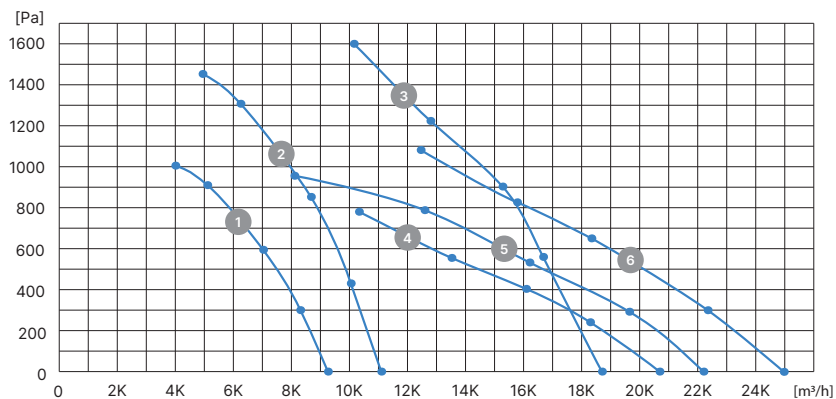
## Dimensions

Fan model	A [mm]	B [mm]
B3P400-EC137-955	500	388
B3P400-EC188-032	500	439
B3P450-EC188-951	630	517
B3P630-EC188-011	800	528
B3P630-EC188-501	800	548
B3P630-EC188-911	730	579



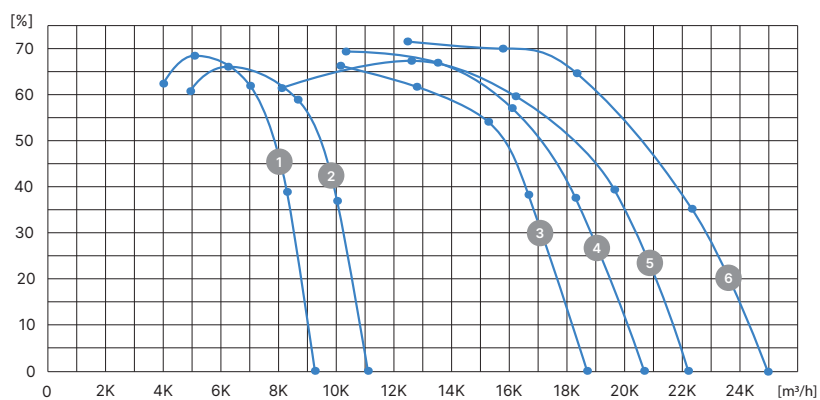
## Airflow curve 10VDC

- 1 B3P400-EC137-955 (max 2,0 kW)
- 2 B3P400-EC188-032 (max 3,6 kW)
- 3 B3P450-EC188-951 (max 7,4 kW)
- 4 B3P630-EC188-011 (max 3,4 kW)
- 5 B3P640-EC188-501 (max 4,2 kW)
- 6 B3P630-EC188-911 (max 5,4 kW)



## Efficiency 10 VDC

- 1 B3P400-EC137-955
- 2 B3P400-EC188-032
- 3 B3P450-EC188-951
- 4 B3P630-EC188-011
- 5 B3P630-EC188-501
- 6 B3P630-EC188-911



This leaflet is for information purposes only and does not constitute a commercial offer.

## Contact us



**Michał Paduch**  
Area Export Manager  
+48 572 376 544  
michal.paduch@aflmotors.com



**Rafał Harań**  
Area Export Manager  
+48 691 966 911  
rafal.haran@aflmotors.com



**Grzegorz Perestaj**  
Regional Sales Director  
+48 505 502 515  
grzegorz.perestaj@aflmotors.com