



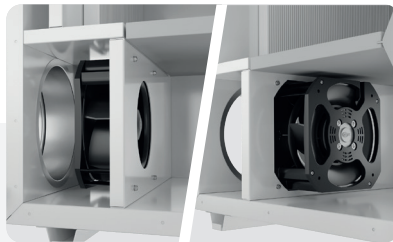
# B3P COMPACT fan series

Discover the family of new radial fans with homogeneous plate magnet technology



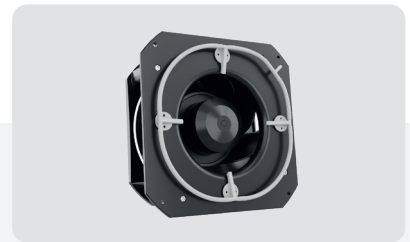
## Low noise level

The integrated plastic mounting console with double inlet ring increases the fan's operational culture, even when the fan is mounted in "tight" device chambers. The console improves the airflow balance, minimises turbulence, and reduces noise during fan operation.



## Easy assembly

The main mounting plate is slightly larger than the overall dimensions of the fan, allowing for easy installation of the fan in the device from both the suction and blowing sides.



## Quick assembly of pressure measurement connectors

The base of the mounting plate has prepared holes for mounting pressure connectors. This significantly speeds up assembly and measurement precision, as the nozzles will always be mounted in the same place.

## Reliable operation

Energy-saving EC motor with high efficiency and 3 sizes. High-class NMB ball bearings with double-sided sealing ensure long-term and reliable operation up to 40 000 h.

## Quality guarantee

Guaranteed reliable results thanks to laboratory tests in Europe. The fan meets strict EMC and LVD requirements.



Ø 190 mm

Ø 155 mm

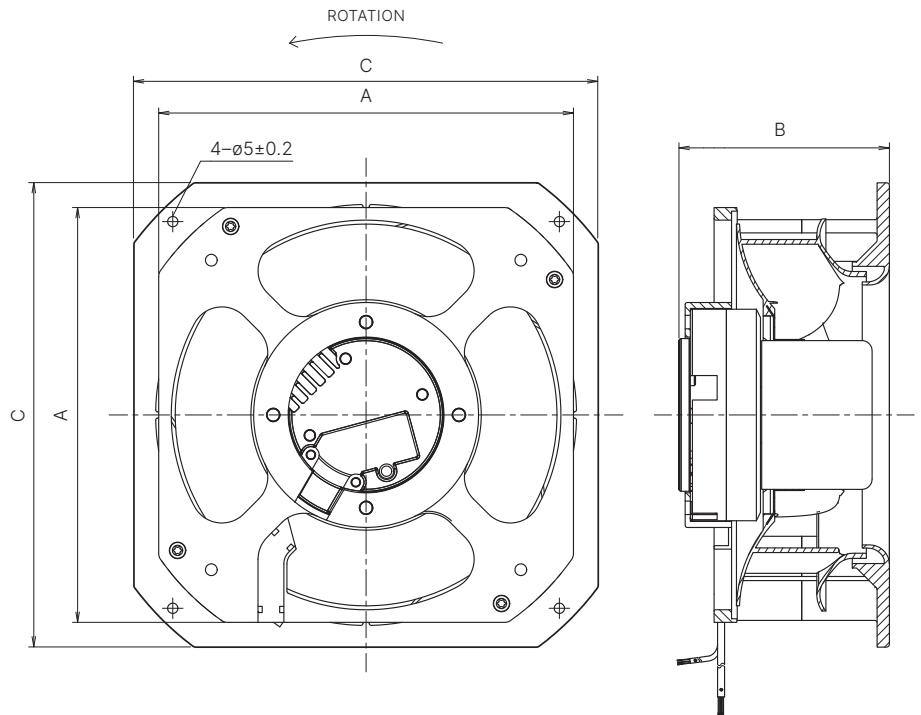
Ø 133 mm

## Special features

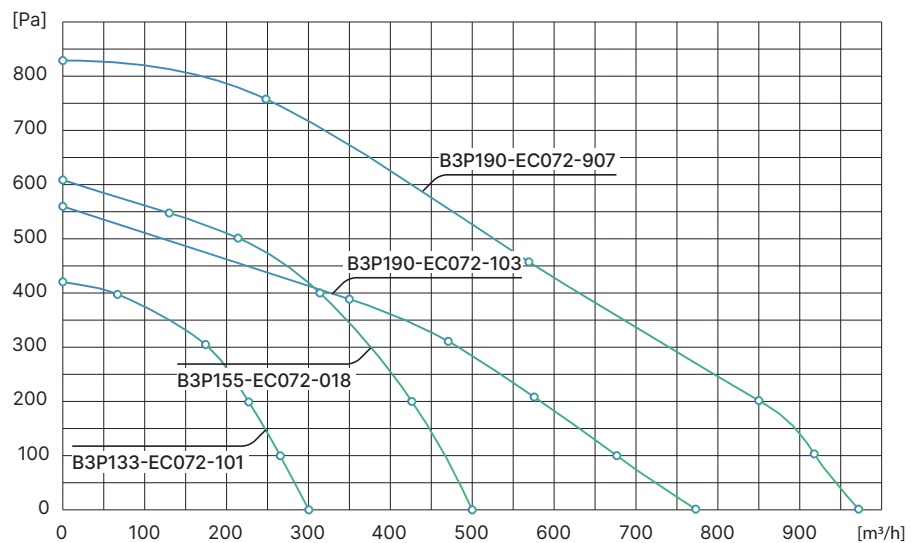
- ✓ high efficiency EC motor
  - ✓ low power consumption: 3–183 W
  - ✓ airflow: 50–970 m<sup>3</sup>/h
- ✓ operating temperature: -20–60°C
  - ✓ degree of protection: IP54
  - ✓ control: 0–10 VDC / PWM / MODBUS

## Dimensions

Fan model	A [mm]	B [mm]	C [mm]
B3P133-EC072-101	144	73	165
B3P155-EC072-018	166	98	190
B3P190-EC072-103	201	85	225
B3P190-EC072-907	201	102	225



## Air performance



This leaflet is for information purposes only and does not constitute a commercial offer.

## Contact us



**Michał Paduch**  
Area Export Manager  
+48 572 376 544  
michal.paduch@aflmotors.com



**Rafał Harań**  
Area Export Manager  
+48 691 966 911  
rafal.haran@aflmotors.com



**Grzegorz Perestaj**  
Regional Sales Director  
+48 505 502 515  
grzegorz.perestaj@aflmotors.com